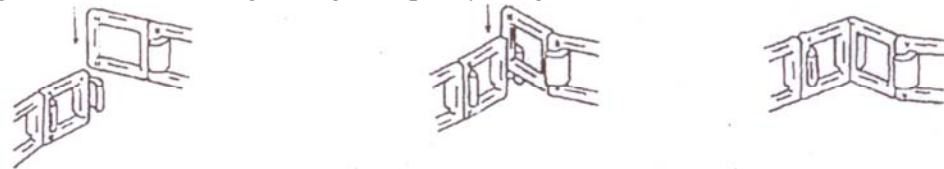
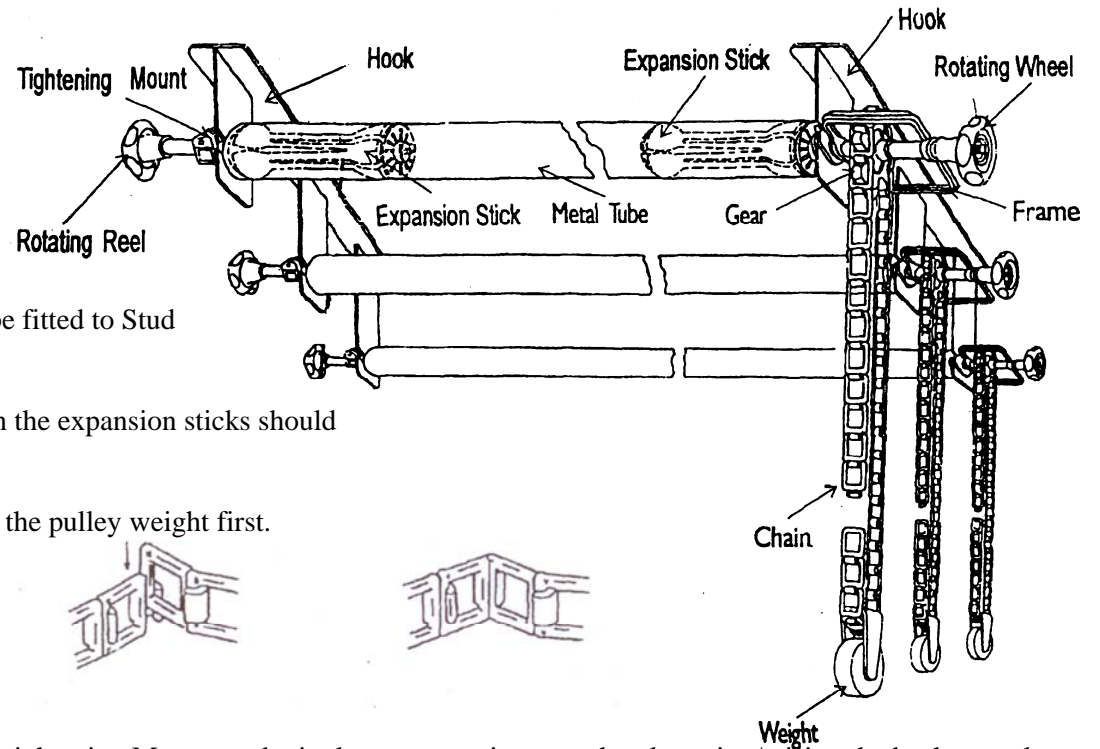


Installation & user Guide for **KARLITE** Fixed Background Support Set

1. These supports are designed to be used with 2" Central Core tubes as found in popular background products such as KARLite Soft Vinyl Rolls & Lastolite Paper & Vinyl Background Rolls.
2. Insert the expansion sticks into both ends of the background central core, ensuring that the stick with the gear wheel is on the right hand side of the background, the background should roll/unroll at the rear of the core.
3. Rotate the reels to tighten the expansions sticks within the central core.
4. Fix the hooks to the wall or ceiling to the desired size (measure this from the completed roll in (3) above). Under **NO** circumstances should these be fitted to Stud Partitioning, as this will not support the necessary weight.
5. Put the prepared backdrop in (3) above onto the hook, the white frames on the expansion sticks should be in a horizontal position, whether fixed to the wall or ceiling.
6. To make up the gear chains, follow the diagram below, threading through the pulley weight first.



7. Adjust the screws on the tightening Mount to obtain the proper resistance when lowering/raising the background.
8. Pull the chains in a vertical manner to raise/lower the background, do not pull in any other direction or allow the chains to become entangled as this may damage them.

